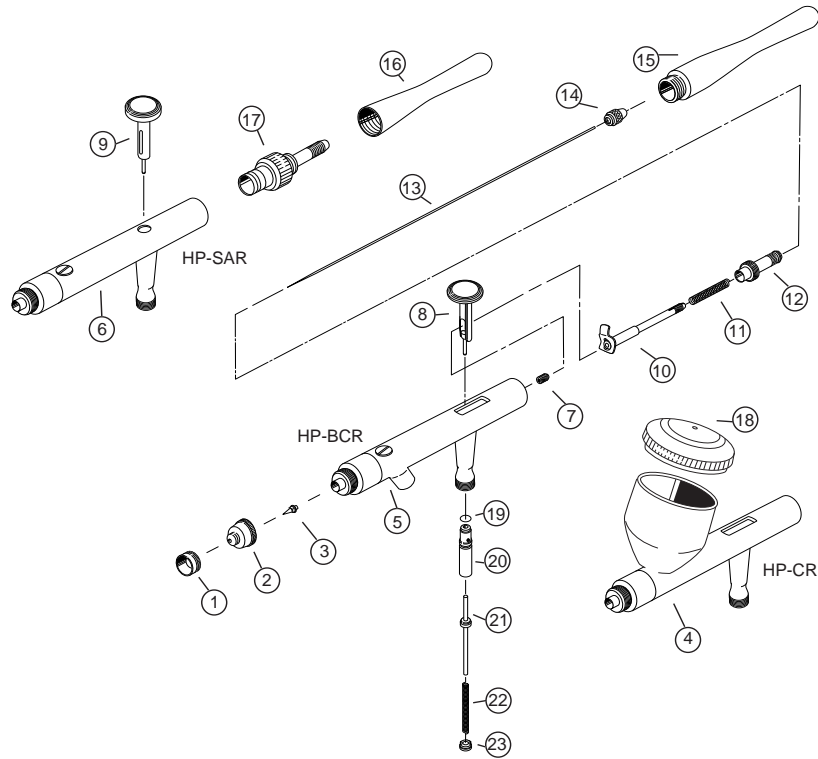


# IWATA Revolution BCR, CR, & SAR PARTS



#	ITEM DESCRIPTION	PRICE CODE	ITEM #	BCR	CR	SAR	Also Fits
1	Needle Cap	A	I 701 1	1	1	1	
2	Nozzle Cap	C	I 702 1	1	1	1	
3	Nozzle (0.50 mm)	C	I 704 1	1	1	1	
4	Body HP-CR	J	I 706 2		1		
5	Body HP-BCR	J	I 706 1	1			
6	Body HP-SAR	J	I 706 3			1	
7	Needle Packing Screw w/packing	B	I 725 1	1	1	1	
8	Main Lever BCR, CR	C	I 612 1	1	1		
9	Main Lever SAR	C	I 612 2			1	
10	Needle Chucking Guide - With Aux. Lever	C	I 715 1	1	1		
11	Needle Spring	A	I 135 1	1	1		HP-BS
12	Spring Guide	A	I 770 1	1	1		
13	Needle	B B	I 717 1 I 717 2	1	1	1	HP-BCS
14	Needle Chuck Nut	A	I 120 2	1	1		HP-B,A
15	Handle BCR, CR	D	I 719 1	1	1		
16	Handle SAR	D	I 719 2			1	
17	Fluid Adjustment Knob	C	I 722 1			1	
18	Lid CR	C	I 718 1		1		
19	Packing Valve Piston (O-ring)	B	I 580 1	1	1	1	HP-BCS
20	Valve Guide w/ O-Ring	B	I 608 1	1	1	1	HP-BCS

#	ITEM DESCRIPTION	PRICE CODE	ITEM #	BCR	CR	SAR	Also Fits
21	Valve w/ O-Ring	A	I 609 1	1	1	1	HP-BCS
22	Valve Spring	A	I 035 1	1	1	1	HP-BCS
23	Valve Guide Screw	B	I 711 1	1	1	1	
	Spanner	A	I 765 1	1	1	1	
	Pre Set Handle	G	I 155 2	Opt	Opt		
	Bottles 2 oz. (see price list for other sizes)		I 470 2	1		1	
	Quick Fit Set (quick disconnect that screws onto the airhose and an adaptor that screws onto the airbrush)		I 160 3	Opt	Opt	Opt	
	Quick Fit Adaptor (adaptor that screws onto the airbrush)		I 160 4	Opt	Opt	Opt	
	Airhose Adaptor (Iwata airbrushes to Paasche airhose)		J 001	Opt	Opt	Opt	
	Airhose Adaptor (Iwata airbrushes to T & C/Badger airhoses)		J 002	Opt	Opt	Opt	